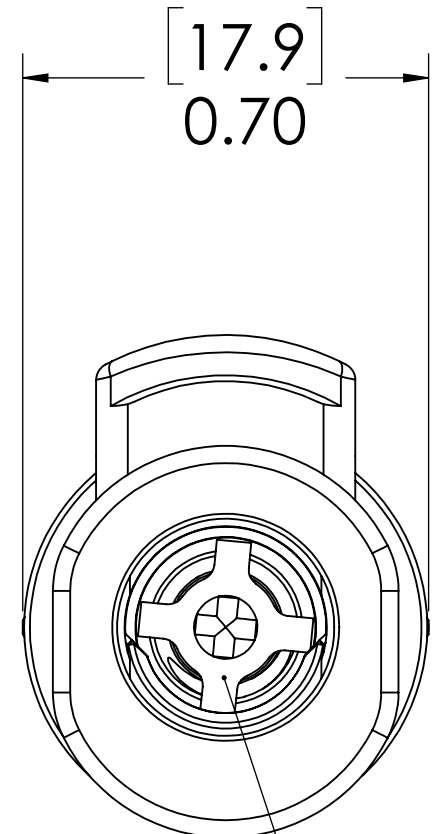
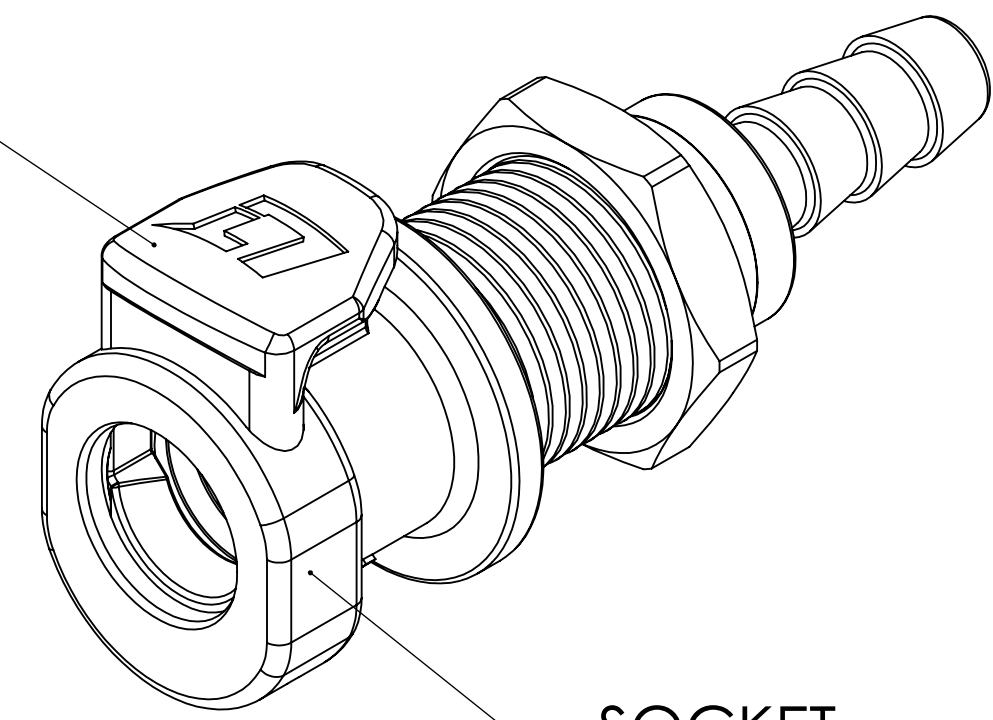


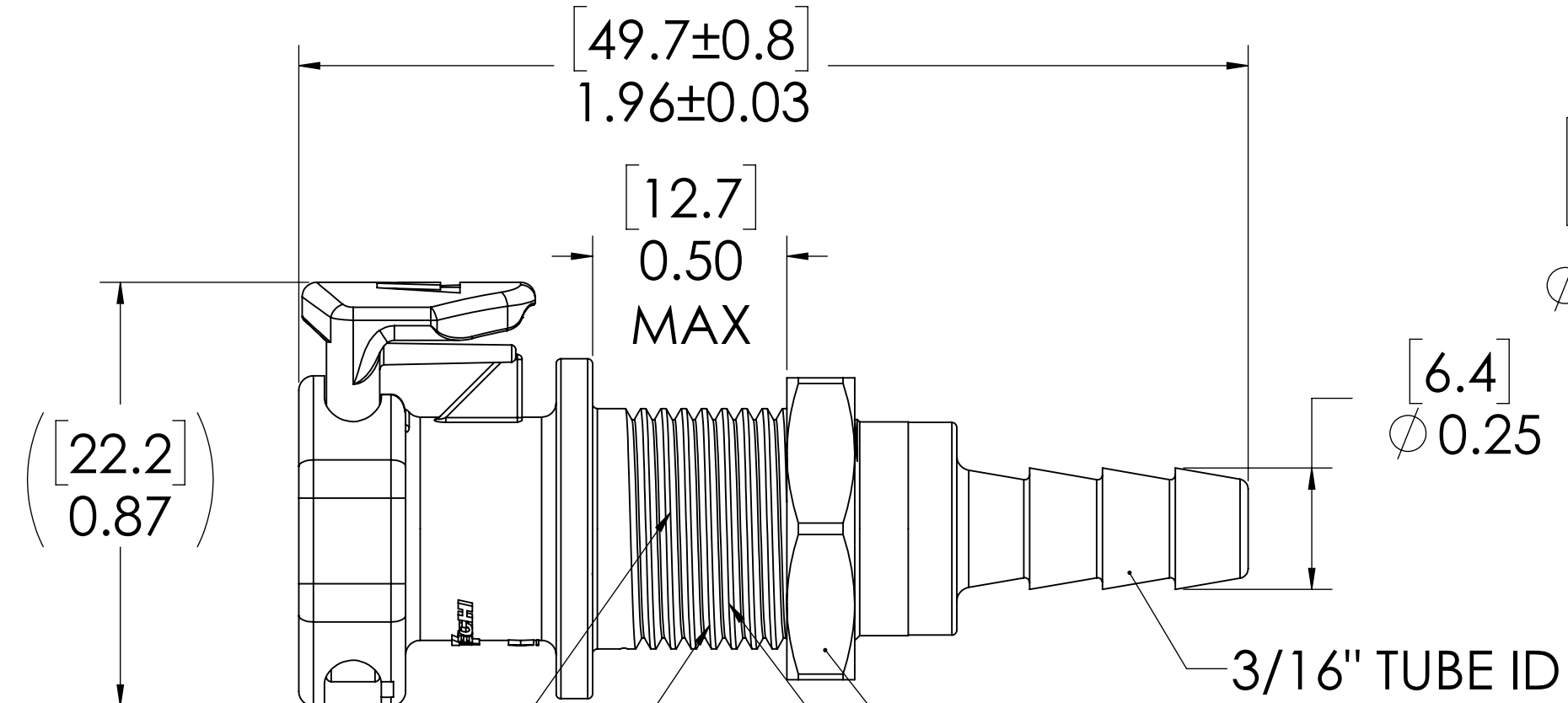
REVISIONS						
SHEET	ZONE	REV.	ECO	DESCRIPTION	DATE	APPROVED
1	ALL	NC	50186	INITIAL RELEASE	6/6/2016	HRC
1	ALL	A	50253	UPDATE DWG TO CURRENT FORMAT & STANDARDS	8/31/2017	HRC

LATCH,  
(ACETAL)

SOCKET,  
(ACETAL)



VALVE,  
(ACETAL)



VALVE SPRING,  
INTERNAL  
(STAINLESS STEEL)

PANEL NUT,  
5/8" HEX  
(BRASS, NICKEL PLATED)  
(PACKAGED SEPARATELY)

VALVE O-RING,  
INTERNAL  
(BUNA-N)

PANEL OPENING

1/2"-24 THREAD

**FOR REFERENCE ONLY**

**NOTES:**

- MATERIAL: ACETAL
- COLOR: NATURAL WHITE
- O-RING MATERIAL: BUNA-N
- O-RINGS LUBRICATED WITH FOOD GRADE SILICONE OIL, 350 CST.

<small>UNLESS OTHERWISE SPECIFIED: DIMENSIONS ARE IN INCHES TOLERANCES: FRACTIONAL ±1/32 ANGULAR: MACH ±0.5 BEND ±2 ONE PLACE DECIMAL ±0.1 TWO PLACE DECIMAL ±0.01 THREE PLACE DECIMAL ±0.005 TWO PLACE DUAL (mm) [±0.12]</small>	DRAWN	C. DAVIS	05/09/16	
	CHECKED	HRC	05/09/16	
	ENG APPR.	HRC	8/31/17	
	MFG APPR.	BDB	8/31/17	
<small>PROPRIETARY AND CONFIDENTIAL</small>	Q.A.	JJB	8/31/17	<b>PART NO: 30ACV-SB3-03</b>
<small>THE INFORMATION CONTAINED IN THIS DRAWING IS THE SOLE PROPERTY OF LINKTECH LLC. ANY REPRODUCTION OR DISCLOSURE IN PART OR AS A WHOLE WITHOUT THE WRITTEN PERMISSION OF LINKTECH LLC IS STRICTLY PROHIBITED.</small>	COMMENTS:			<small>DESCRIPTION:</small> <b>LinkTech 30AC Series, Panel Mt. Female, Valved, 3/16" HB, Natural Acetal</b>
				<small>SIZE DWG. NO. REV</small> <b>C 30AC300082 A</b>
				<small>SCALE: NTS WEIGHT: SHEET 1 OF 1</small>